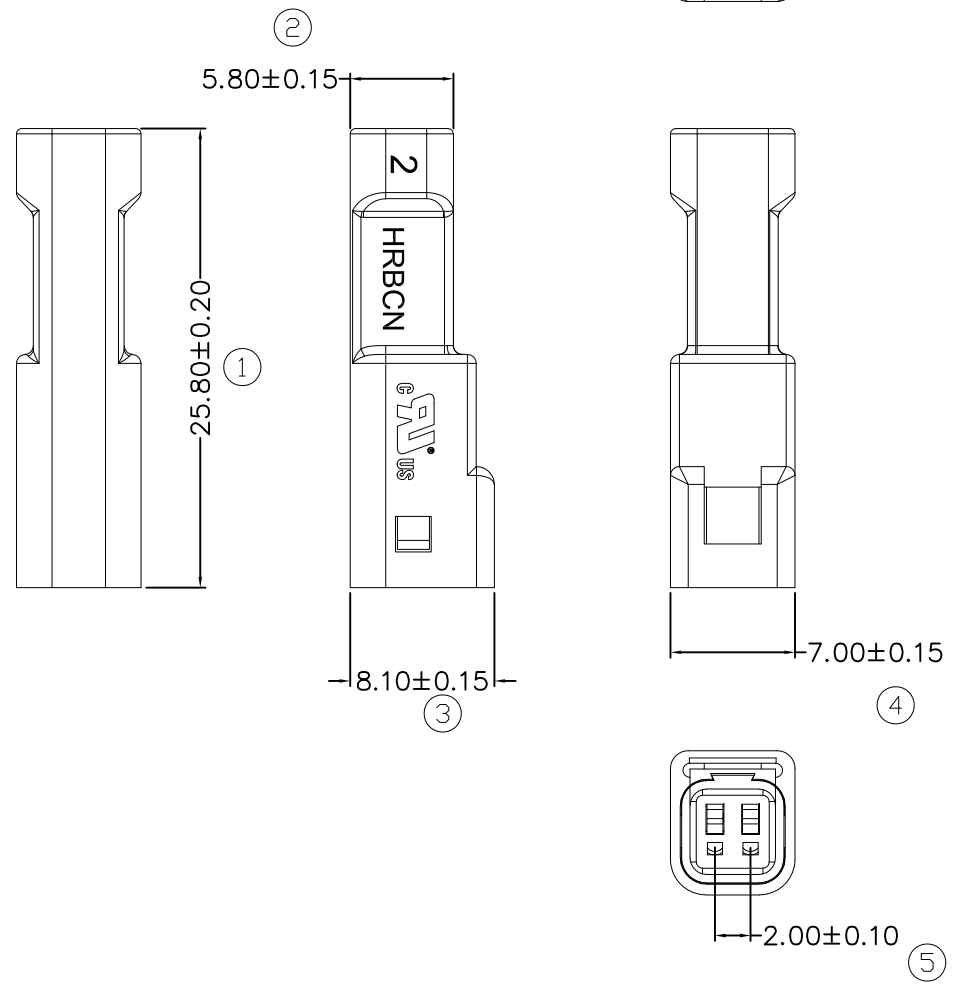


A0	----	初版发行	2017. 3. 17	CML
A1	ECN-20210817001	增加 CUL Logo	2021. 8. 19	CML



- SPECIFICATIONS:**
- Current Rating: 3A AC, DC Max.
 - Voltage Rating: 100V AC, DC
 - Operating Temperature: -40°C ~ +130°C
 - Insulation Resistance: 1000MΩ Min.
 - Withstanding Voltage: 1000V AC/minute
 - Material: Housing: PBT UL94V-0, natural (white)
 - Seal ring: Silicon rubber
 - Seal plug: Silicon rubber
 - Seal ring holder : PBT UL94V-0, yellow

M20033-1X2-C

Color:
W: White
B: Black
G: Gray

料号 (Part No.)	M20033-1x2-C		UNIT:mm			0	mm	25	核准 Approved:	日期 Date:	
产品名称 (Product Name)	2.0防水连接器		Tolerance:	Angular Dim.		THIRD ANGLE PROJECTION			审核 Checked:	日期 Date:	
比例 (Scale)	1:1	版本 (Version)	A1	.XXX ±0.05 .XX ±0.10 .X ±0.20		.XX° ±1° .X° ±2° . ° ±3°	设计 Designed:	CML	日期 Date:	2021. 8. 19	

A0	----	初版发行	2017. 3. 17	CML
A1	ECN-20210817001	增加 CUL Logo	2021. 8. 19	CML



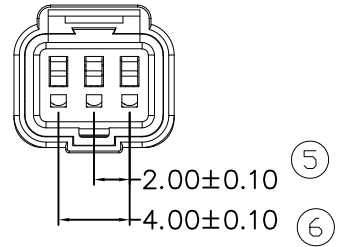
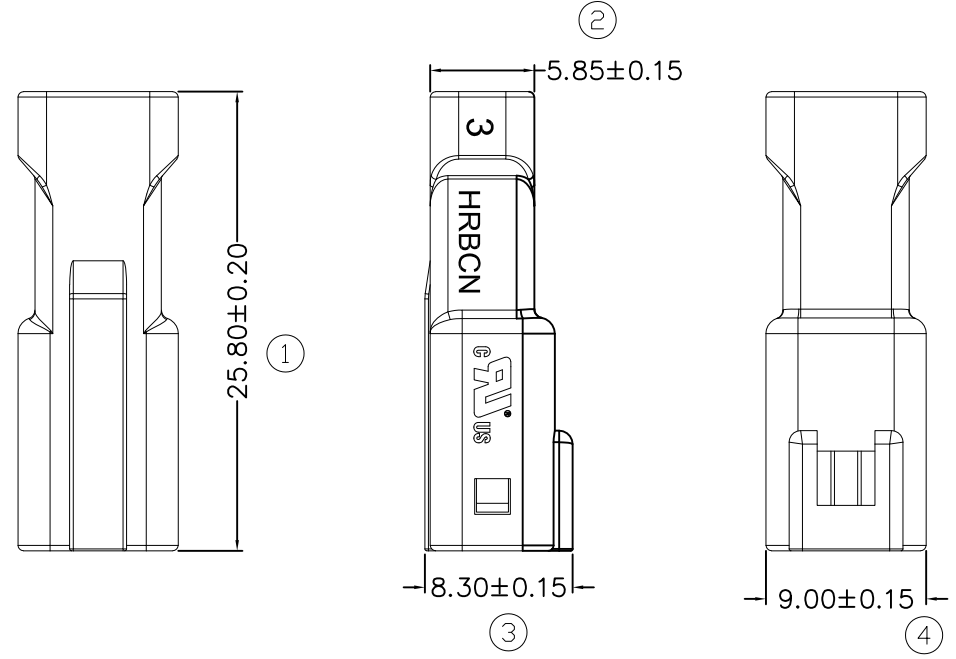
SPECIFICATIONS:

- Current Rating: 3A AC, DC Max.
- Voltage Rating: 100V AC, DC
- Operating Temperature: -40°C ~ +130°C
- Insulation Resistance: 1000MΩ Min.
- Withstanding Voltage: 1000V AC/minute
- Material: Housing: PBT UL94V-0, natural (white)

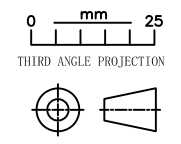
Seal ring: Silicon rubber
Seal plug: Silicon rubber
Seal ring holder : PBT UL94V-0, yellow

M20033-1X3-C

Color:
W: White
B: Black
G: Gray

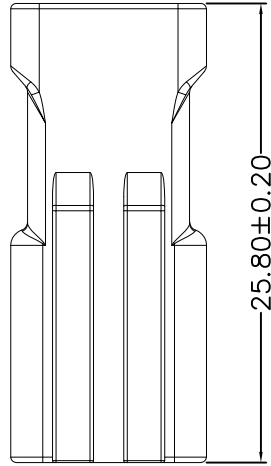
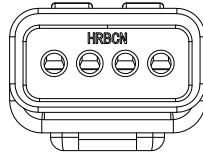


料号 (Part No.)	M20033-1x3-C			UNIT:mm	
产品名称 (Product Name)	2.0防水连接器			Tolerance:	Angular Dim.
比例 (Scale)	1:1	版本 (Version)	A1	.XXX ±0.05	.XX° ±1°
				.XX ±0.10	.X° ±2°
				.X ±0.20	X.° ±3°

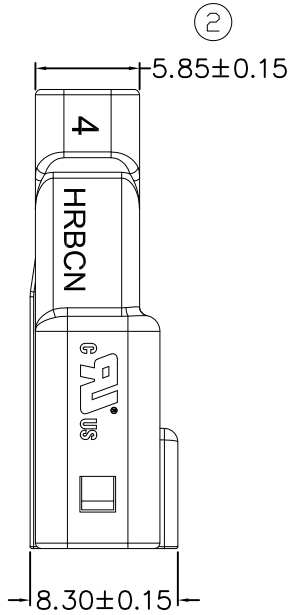


核准 Approved:		日期 Date:	
审核 Checked:		日期 Date:	
设计 Designed:	CML	日期 Date:	2021. 8. 19

1	2	3	4	5	6	7	8	
页数 (Page No.)	1/1	Used By:	HRBCN	Version 版次	Engineer Change No ECN编码	Change Description 变更描述	Date 日期	Approved by 审核
				A0	----	初版发行	2017. 3. 17	CML
				A1	ECN-20210817001	增加 CUL Logo	2021. 8. 19	CML

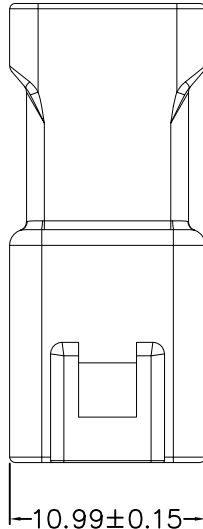


①

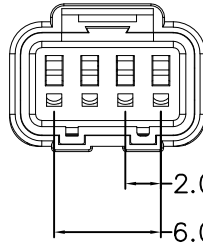


②

③



④



⑤

⑥

SPECIFICATIONS:

- Current Rating:3A AC,DC Max.
- Voltage Rating:100V AC,DC
- Operating Temperature:-40℃~+130℃
- Insulation Resistance:1000MΩ Min.
- Withstanding Voltage:1000V AC/minute
- Material:Housing:PBT UL94V-0,natural(white)
Seal ring:Silicon rubber
Seal plug:Silicon rubber
Seal ring holder : PBT UL94V-0,yellow

M20033-1X4-C

Color:
W: White
B: Black
G: Gray

料号 (Part No.)	M20033-1x4-C			UNIT:mm			 THIRD ANGLE PROJECTION	核准 Approved:	日期 Date:
产品名称 (Product Name)	2.0防水连接器			Tolerance:	Angular Dim.			审核 Checked:	日期 Date:
比例 (Scale)	1:1	版本 (Version)	A1	.XXX ±0.05	.XX° ±1°			设计 Designed:	CML