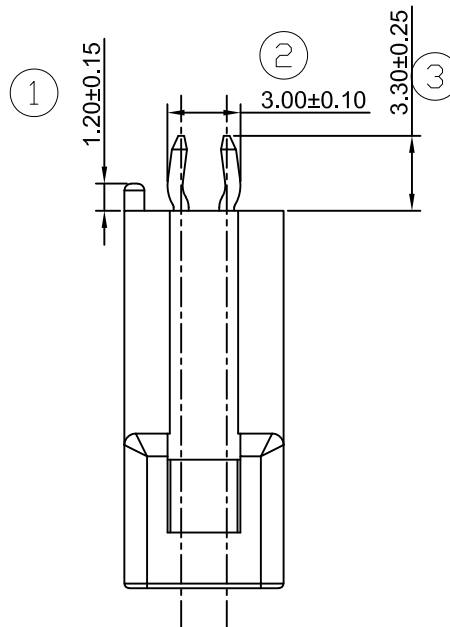


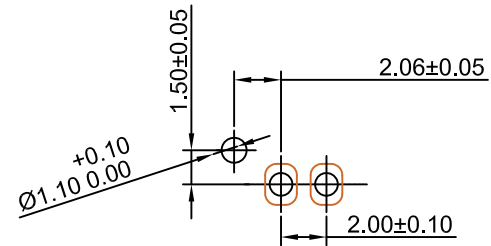
Version	Description of Change	Date	Drawn by
A0	New	2020.01.04	陈明林

Specification:
 Current rating : 3A AC, DC
 Voltage rating: 100V AC, DC
 Temperature range: -40°C to 120°C
 Insulation resistance: 100MΩ Min.
 Withstanding Voltage: 1000V AC/minute
 Water proof grade: IPX7
 Material: Housing: PBT UL94V-0
 Seal ring: Silicon rubber
 Pin: Copper alloy, tin plated over nickle

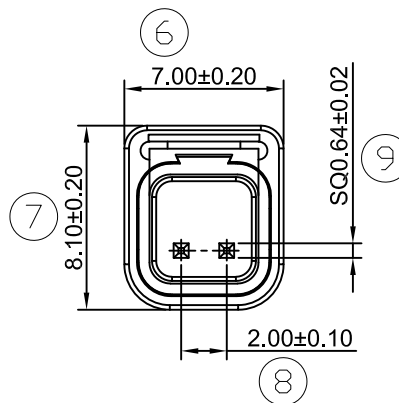
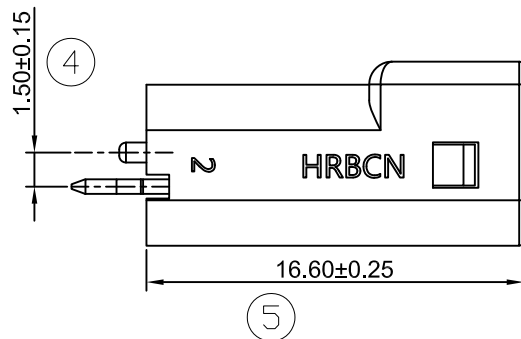


M20036-1x2-C

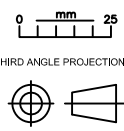
Color:
 W: White
 B: Black
 G: Gray
 Br: Brown



PCB Layout



Part NO. (料号)	Version (版本)	Date (日期)
M20036-1x2-C	A0	2020.01.04
Title(名称)		
2.0防水2pin连接器		



Tolerance:		Angular Dim.
.XXX ±0.05	.XX° ±1°	
.XX ±0.10	.X° ±2°	
.X ±0.20	X° ±3°	



东莞市鸿儒连接器有限公司
 Hongru Connectors Co., Ltd.

Drawn by (制图)	Confirmed by (审核)	Approved by (核准)
陈明林		

Version	Description of Change	Date	Drawn by
A0	New	2020.01.04	陈明林

Specification:

Current rating : 3A AC, DC

Voltage rating: 100V AC, DC

Temperature range: -40°C to 120°C

Insulation resistance: 100MΩ Min.

Withstanding Voltage: 1000V AC/minute

Water proof grade: IPX7

Material: Housing: PBT UL94V-0

Seal ring: Silicon rubber

Pin: Copper alloy, tin plated over nickle

M20036-1x3-C

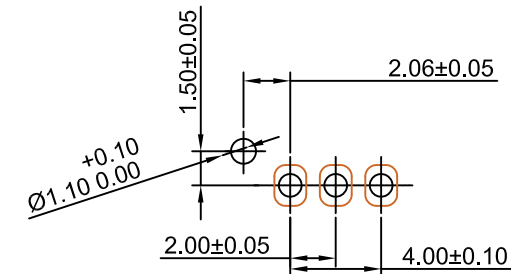
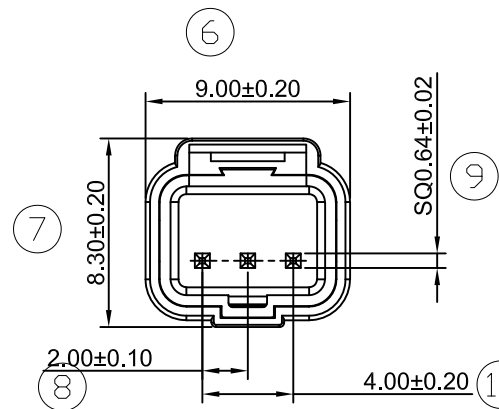
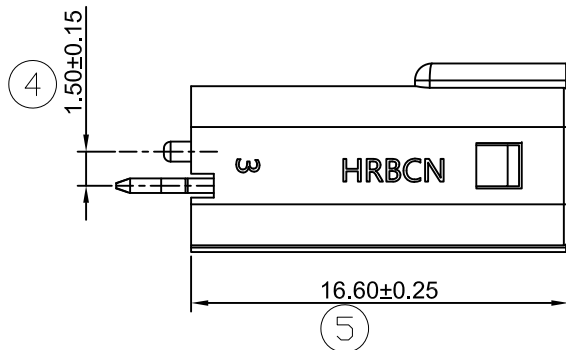
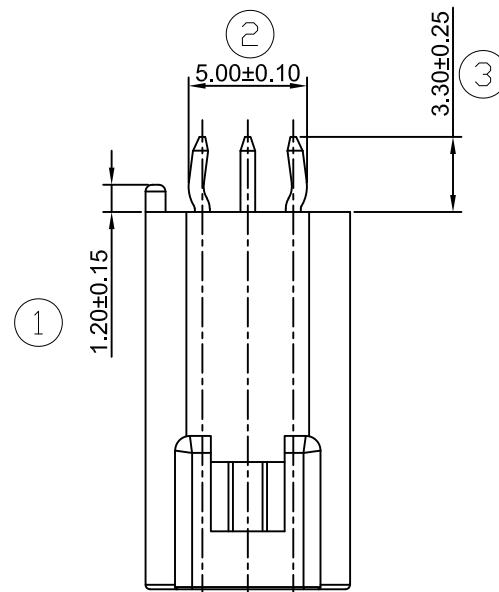
Color:

W: White

B: Black

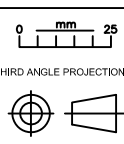
G: Gray

Br: Brown



PCB Layout

Part NO. (料号)	Version (版本)	Date (日期)
M20036-1x3-C	A0	2020.01.04
Title(名称)		
2.0防水3pin连接器		



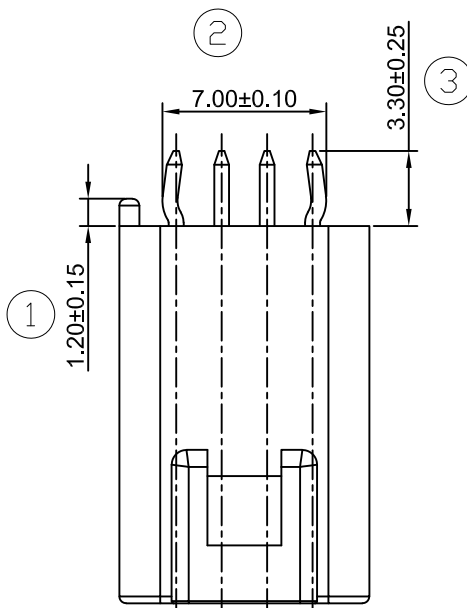
UNIT: mm	
Tolerance:	Angular Dim.
.XXX ±0.05	.XX° ±1°
.XX ±0.10	.X° ±2°
.X ±0.20	X.° ±3°



东莞市鸿儒连接器有限公司
Hongru Connectors Co., Ltd.

Drawn by (制图)	Confirmed by (审核)	Approved by (核准)
陈明林		

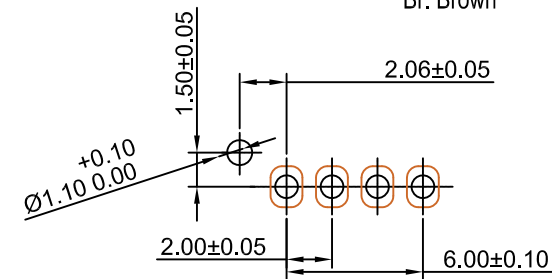
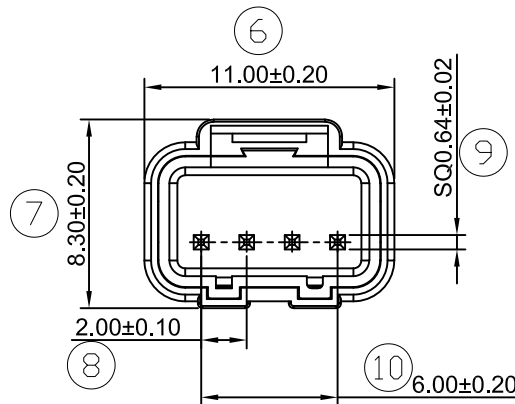
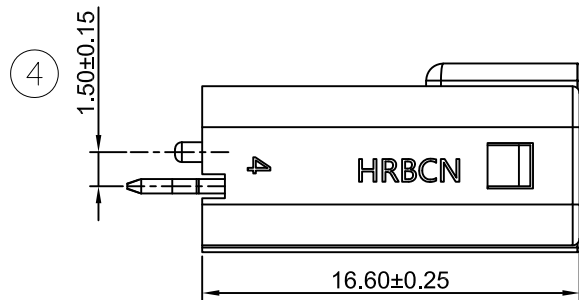
Version	Description of Change	Date	Drawn by
A0	New	2020.01.04	陈明林



Specification:
 Current rating : 3A AC, DC
 Voltage rating: 100V AC, DC
 Temperature range: -40°C to 120°C
 Insulation resistance: 100MΩ Min.
 Withstanding Voltage: 1000V AC/minute
 Water proof grade: IPX7
 Material: Housing: PBT UL94V-0
 Seal ring: Silicon rubber
 Pin: Copper alloy, tin plated over nickle

M20036-1x4-C

Color:
 W: White
 B: Black
 G: Gray
 Br: Brown



PCB Layout

Part NO. (料号)	Version (版本)	Date (日期)
M20036-1x4-C	A0	2020.01.04
Title(名称)		
2.0防水4pin连接器		

0 1 2 3 4 5 6 7 8 9 10 11 12 13 14 15 16 17 18 19 20 21 22 23 24 25	UNIT: mm
Tolerance: .XXX ±0.05 .XX ±0.10 .X ±0.20	Angular Dim. .XX° ±1° .X° ±2° .X° ±3°



东莞市鸿儒连接器有限公司
 Hongru Connectors Co., Ltd.

Drawn by (制图)	Confirmed by (审核)	Approved by (核准)
陈明林		