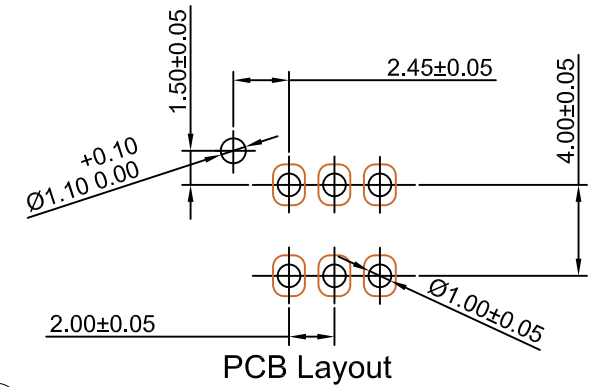
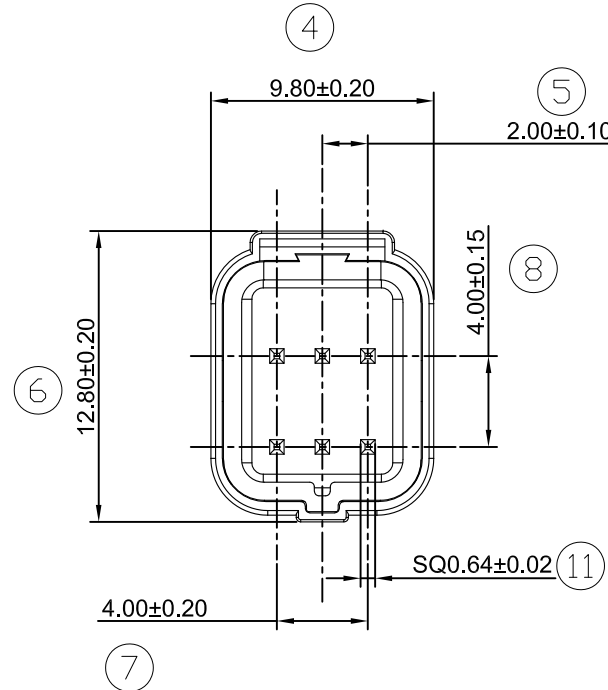
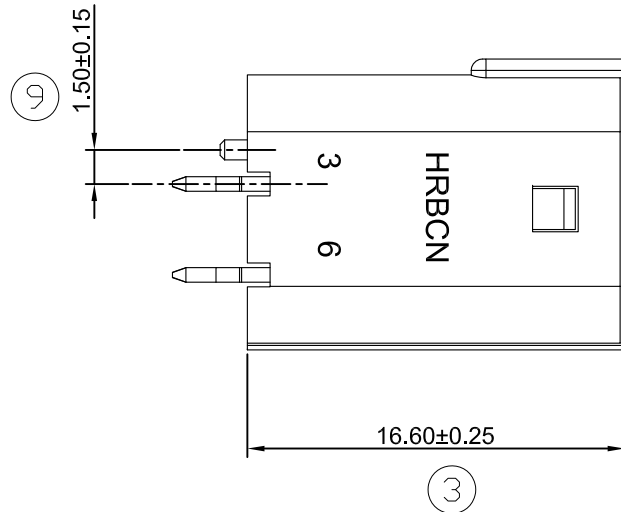
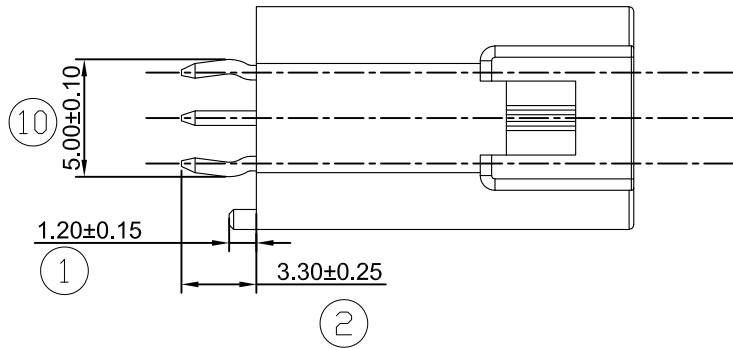


**Specification:**  
 Current rating : 3A AC, DC  
 Voltage rating: 100V AC, DC  
 Temperature range: -40°C to 120°C  
 Insulation resistance: 100MΩ Min.  
 Withstanding Voltage: 1000V AC/minute  
 Water proof grade: IPX7  
**Material:** Housing: PBT UL94V-0  
 Seal ring: Silicon rubber  
 Pin: Copper alloy, tin plated over nickle

Version	Description of Change	Date	Drawn by
A0	New	2018. 4. 27	陈明林
A1	Add dimension	2019. 5. 25	陈明林

M20036-2x3-C

Color:  
 W: White  
 B: Black  
 G: Gray  
 Br: Brown



Part NO. (料号)	Version (版本)	Date (日期)
M20036-2x3-C	A1	2019.07.25
Title(名称)		
2.0防水6pin连接器		

0 1 2 3 4 5 6 7 8 9 10 11 12 13 14 15 16 17 18 19 20 21 22 23 24 25	UNIT: mm
Tolerance:	Angular Dim.
.XXX ±0.05	.XX° ±1°
.XX ±0.10	.X° ±2°
.X ±0.20	X° ±3°



东莞市鸿儒连接器有限公司  
 Hongru Connectors Co., Ltd.

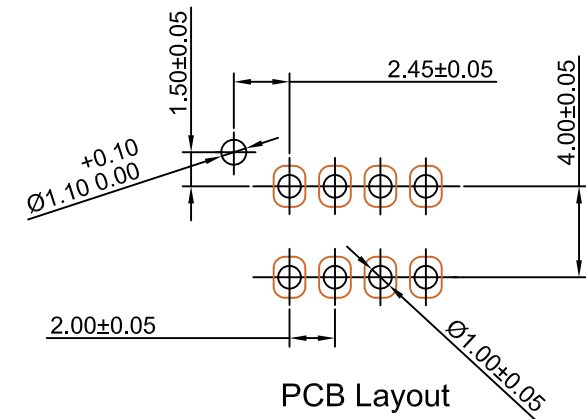
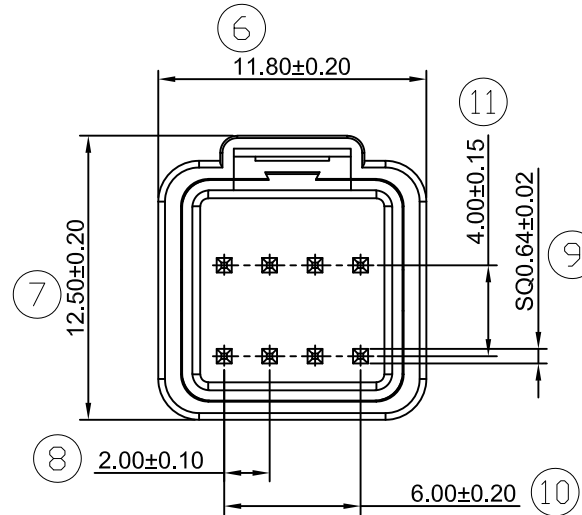
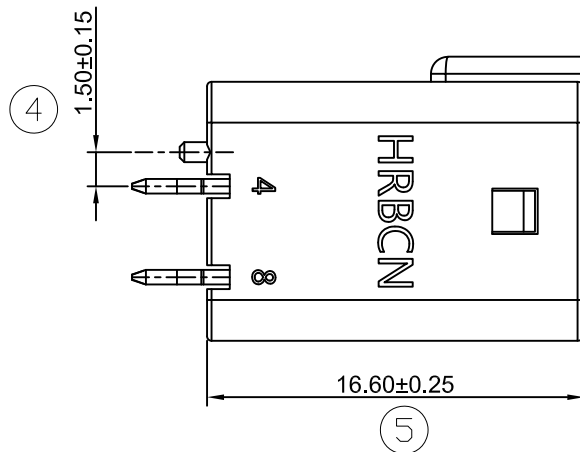
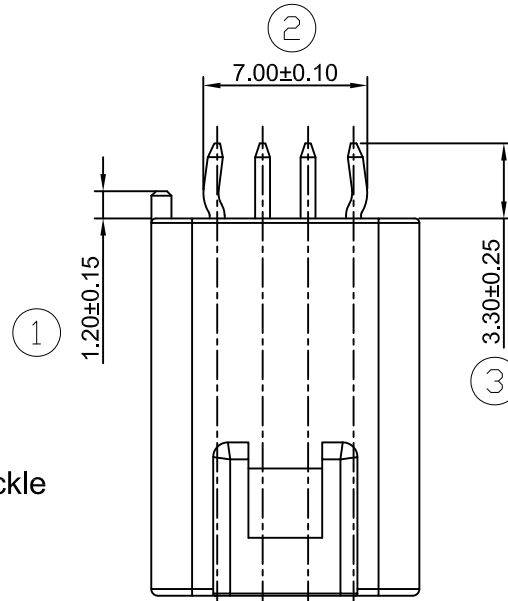
Drawn by (制图)	Confirmed by (审核)	Approved by (核准)
陈明林		

**Specification:**  
 Current rating : 3A AC, DC  
 Voltage rating: 100V AC, DC  
 Temperature range: -40°C to 120°C  
 Insulation resistance: 100MΩ Min.  
 Withstanding Voltage: 1000V AC/minute  
 Water proof grade: IPX7  
 Material: Housing: PBT UL94V-0  
           Seal ring: Silicon rubber  
           Pin: Copper alloy, tin plated over nickle

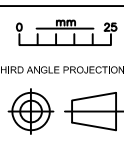
Version	Description of Change	Date	Drawn by
A0	New	2020.01.04	陈明林

M20036-2x4-C

Color:  
 W: White  
 B: Black  
 G: Gray  
 Br: Brown



Part NO. (料号)	Version (版本)	Date (日期)
M20036-2x4-C	A0	2020.01.04
Title(名称)		
2.0防水8pin连接器		



UNIT: mm	
Tolerance: .XXX ±0.05 .XX ±0.10 .X ±0.20	Angular Dim. .XX° ±1° .X° ±2° X.° ±3°



东莞市鸿儒连接器有限公司  
 Hongru Connectors Co., Ltd.

Drawn by (制图)	Confirmed by (审核)	Approved by (核准)
陈明林		