

Version	Description of Change	Date	Drawn by
A0	New	2021.08.14	陈明林

Specification:

Current rating : 3A AC, DC

Voltage rating: 100V AC, DC

Temperature range: -40°C to 120°C

Insulation resistance: 100MΩ Min.

Withstanding Voltage: 1000V AC/minute

Water proof grade: IPX7

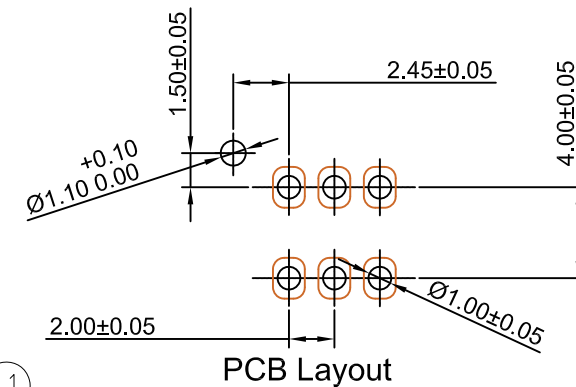
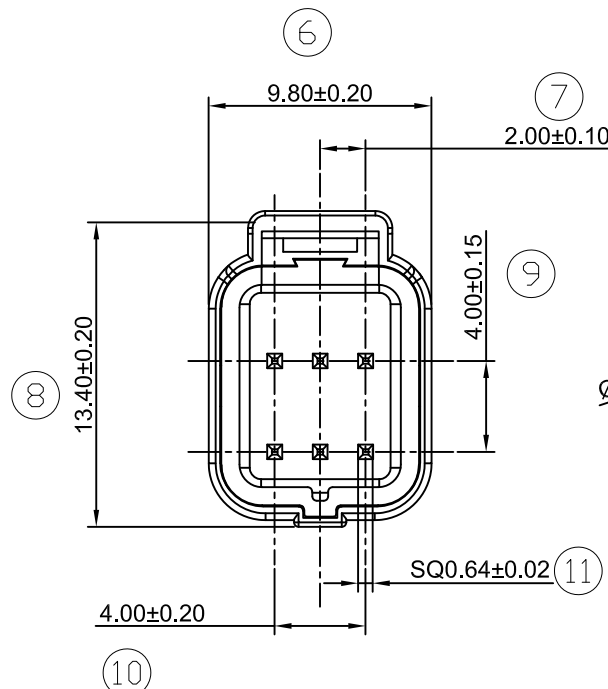
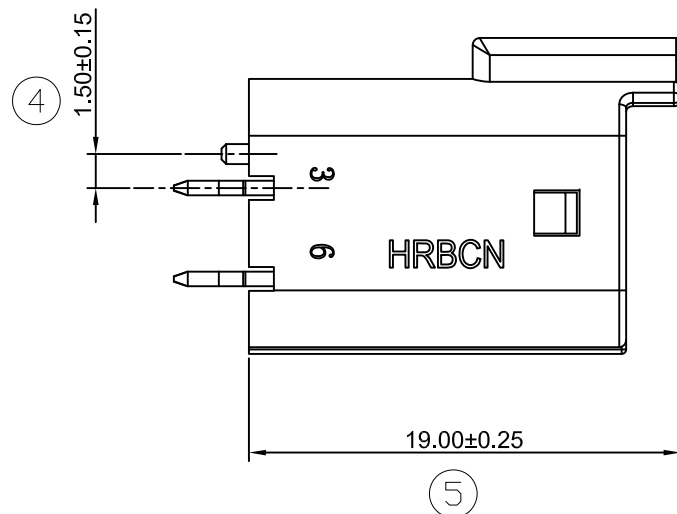
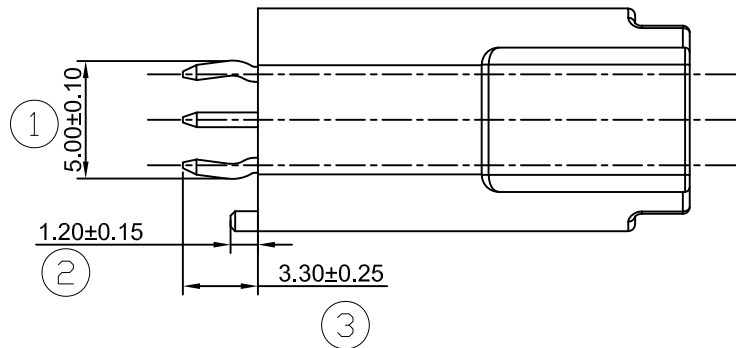
Material: Housing: PBT UL94V-0

Seal ring: Silicon rubber

Pin: Copper alloy, tin plated over nickle

M20036E-2x3-C

Color:
W: White
B: Black
G: Gray



Part NO. (料号)	Version (版本)	Date (日期)
M20036E-2x3-C	A0	2021.08.14
Title(名称)		
2.0防水6pin连接器		

0 1 2 3 4 5 6 7 8 9 10 11 12 13 14 15 16 17 18 19 20 21 22 23 24 25 mm		UNIT: mm	
THIRD ANGLE PROJECTION		Tolerance:	Angular Dim.
		.XXX ±0.05	.XX° ±1°
		.XX ±0.10	.X° ±2°
		.X ±0.20	X.° ±3°



东莞市鸿儒连接器有限公司
Hongru Connectors Co., Ltd.

Drawn by (制图)	Confirmed by (审核)	Approved by (核准)
陈明林		

