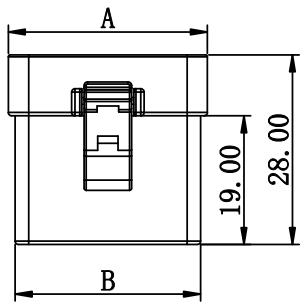
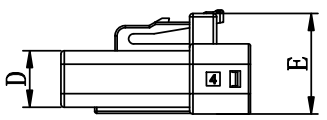
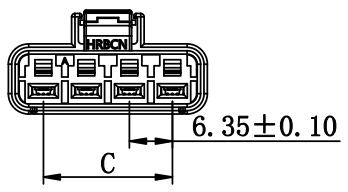
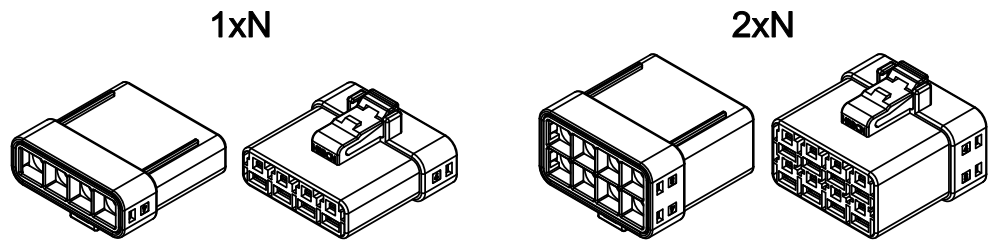


A	-----	Initial release	09/08-'20	Minglin Chen

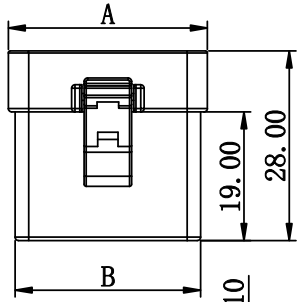


1xN

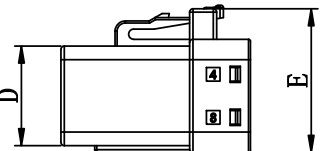
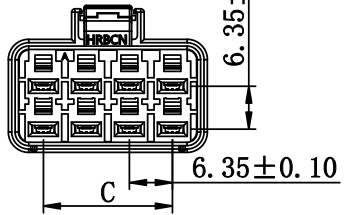


NOTES

- *Material
 - Housing: PBT UL94V-0;
 - Seal plug: Silicon rubber;
 - Seal plug holder : PBT UL94V-0;
 - Contacts: Copper Alloy;
 - Contact Plating: Tin Plating Over Ni On Contact Area
 - Used With: A-T63501WFPS-2
 - Mated With: A-M63502WF-NxN-W
- *Electrical Specification
 - Current Rating: 30A AC,DC Max. (AWG12)
 - Voltage Rating: 250V AC,DC
 - Operating Temperature: -40℃~+130℃
 - Insulation Resistance: 1000MΩ Min.
 - Withstanding Voltage: 1500V AC/minute



2xN

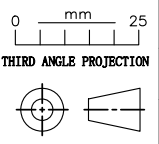


Pin No.	料号	A	B	C	D	E
1x2	A-M63501WF-1x2-W	16.70	14.70	6.35	8.35	14.85
1x3	A-M63501WF-1x3-W	23.05	21.05	12.70	8.35	14.85
1x4	A-M63501WF-1x4-W	29.40	27.40	19.05	8.35	14.85
2x2	A-M63501WF-2x2-W	16.70	14.70	6.35	14.70	21.20
2x3	A-M63501WF-2x3-W	23.05	21.05	12.70	14.70	21.20
2x4	A-M63501WF-2x4-W	29.40	27.40	19.05	14.70	21.20

料号 (Part No.)	A-M63501WF-NxN-W	UNIT:mm	
产品名称 (Product Name)	Water Proof 6.35 Pitch Male (NxN) Pin	Tolerance:	Angular Dim.
		.XXX ±0.10	.XX° ±1°
		.XX ±0.20	.X° ±2°
比例(Scale)	1:1	版本(Version)	A
		.X ±0.30	X.° ±3°



东莞市鸿儒连接器有限公司
Hong Ru Connectors(DG) Co.,Ltd.



核准 Approved:	David	日期 Date:	09/08-'20
审核 Checked:	Feiyi	日期 Date:	09/08-'20
设计 Designed:	Minglin Chen	日期 Date:	09/08-'20