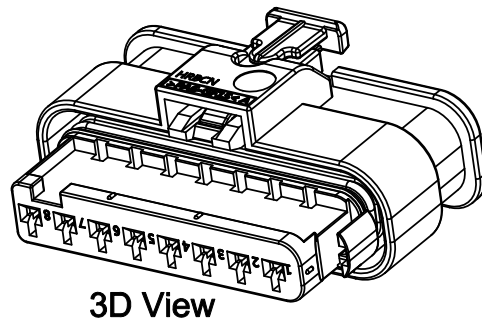
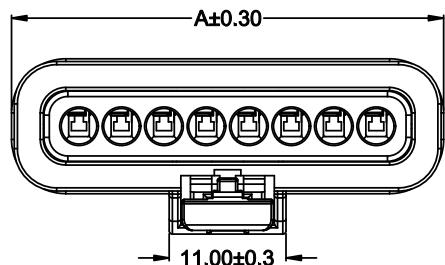


Version 版次	Change Description 变更描述	Date 日期	Approved by 审核
A0	Initial release	10/13-'22	Yi Xiaoxu



NOTES:

*Material

Housing: PA6-GF, UL 94V-2

Rated Color:Black/Natural/Blue/Violet.

Used With:Terminal:A-T4023PS-*-*

SPECIFICATIONS

Voltage rating: 250V AC, DC Max.

Current rating: 10A AC, DC Max.

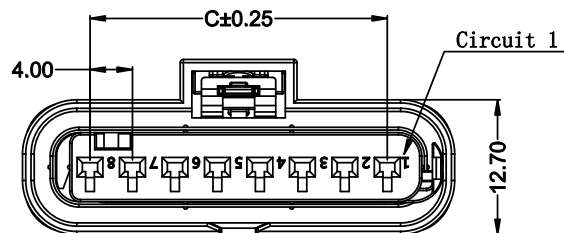
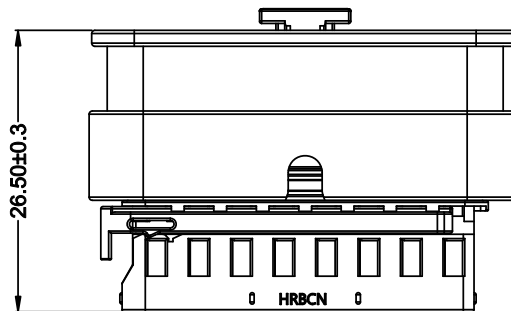
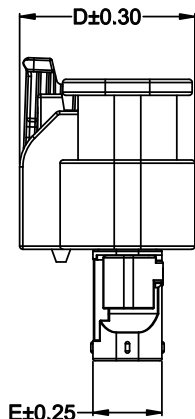
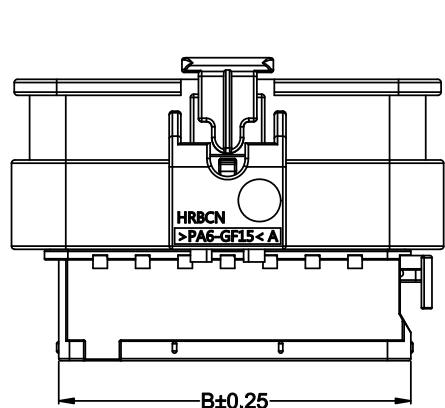
Withstanding Voltage: 1500V AC/minute.

Temperature range: -40° C~+125° C.

Waterproof Rating: IP68 and IP69K

Part No. :A-M4023-N-C-C

- Color:B:Black
- Y:Yellow
- Color:N:Natural
- Bu:Blue
- V:Violet
- Pin No.:2:2Pin
- 3:3Pin
- 4:4Pin
- 5:5Pin
- 6:6Pin
- 8:8Pin

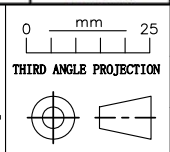


Circuit No.	A	B	C	D	E
2Pin	15.00	8.60	4.00	14.80	5.20
3Pin	19.00	12.60	8.00	14.80	5.20
4Pin	24.70	17.15	12.00	16.50	6.50
5Pin	28.70	21.15	16.00	16.50	6.50
6Pin	32.70	25.15	20.00	16.50	6.50
8Pin	40.70	33.15	28.00	16.50	6.50

料号 (Part No.)	A-M4023-N-C-C (COLOR)		
产品名称 (Product Name)	4.0PH 线端 N Pin Housing		
比例 (Scale)	1:1	版本 (Version)	A0

UNIT:mm	
Tolerance:	Angular Dim.
.XXX ±0.10	.XX° ±1°
.XX ±0.20	.X° ±2°
.X ±0.30	X.° ±3°

东莞市鸿儒连接器有限公司
Hong Ru Connectors(DG) Co.,Ltd.



核准 Approved:		日期 Date:	
审核 Checked:		日期 Date:	
设计 Designed:	Yi Xiaoxu	日期 Date:	10/14-'22

Version 版本	Change Description 变更描述	Date 日期	Approved by 审核
A0	Initial release	10/13-'22	Yi Xiaoxu

Key coding		
Part No.	A-M4023-6-B-B	A-M4023-8-B-B
Color	Black/Black/Grey	Black/Black/Grey

颜色说明:
Color: Black/Black/Grey

— CPA颜色
— 盖子颜色
— 主体颜色

Key coding								
Part No.	A-M4023-2-B-B	A-M4023-2-B-Y	A-M4023-2-Bu-B	A-M4023-2-Bu-Y	A-M4023-2-N-B	A-M4023-2-N-Y	A-M4023-3-B-B	A-M4023-3-Bu-B
Color	Black/Black/Grey	Black/Yellow/Red	Blue/Black/Grey	Blue/Yellow/Red	Natural/Black/Grey	Natural/Yellow/Red	Black/Black/Grey	Blue/Black/Grey

Key coding								
Part No.	A-M4023-3-N-B	A-M4023-3-V-B	A-M4023-4-B-B	A-M4023-4-B-Y	A-M4023-4-N-B	A-M4023-5-B-B	A-M4023-5-Bu-B	A-M4023-5-N-B
Color	Natural/Black/Grey	Violet/Black/Grey	Black/Black/Grey	Blue/Yellow/Red	Natural/Black/Grey	Black/Black/Grey	Blue/Black/Grey	Natural/Black/Grey

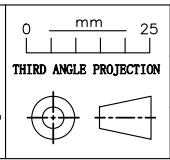
料号 (Part No.)	A-M4023-N-C-C (COLOR)		
产品名称 (Product Name)	4.0PH 线端 N Pin Housing		
比例(Scale)	1:1	版本(Version)	A0

UNIT:mm	
Tolerance:	Angular Dim.
.XXX ±0.10	.XX° ±1°
.XX ±0.20	.X° ±2°
.X ±0.30	X.° ±3°

HRB
HRBCN

东莞市鸿儒连接器有限公司

Hong Ru Connectors(DG) Co.,Ltd.



核准 Approved:		日期 Date:	
审核 Checked:		日期 Date:	
设计 Designed:	Yi Xiaoxu	日期 Date:	10/14-'22