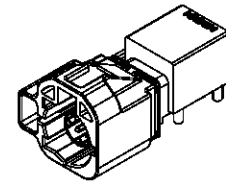
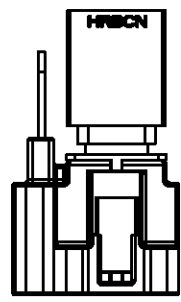
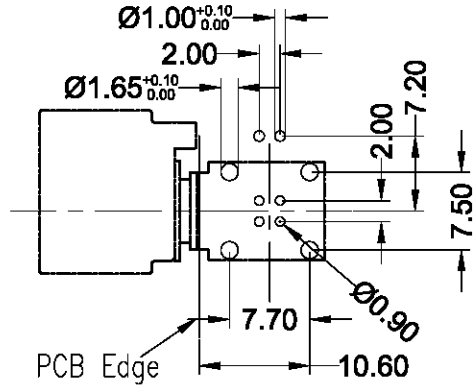
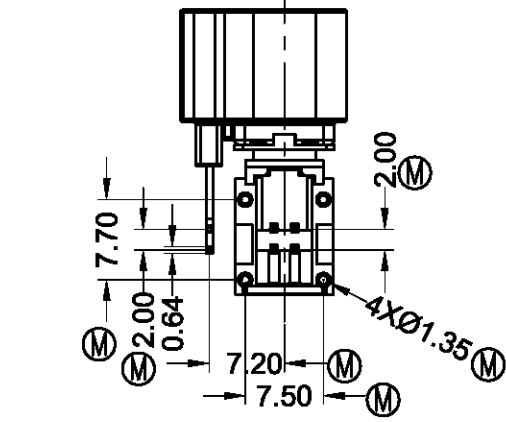
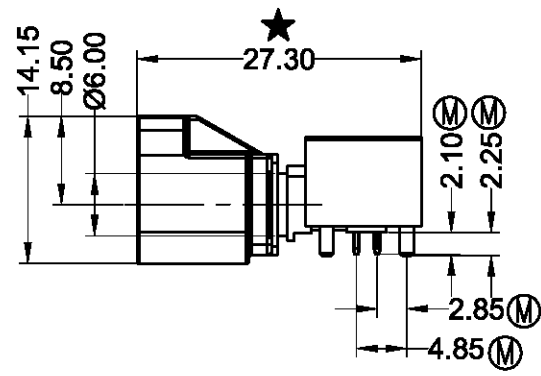
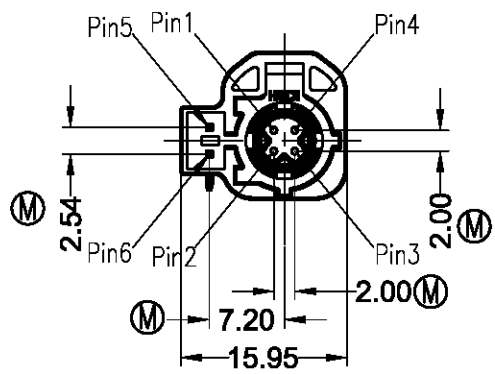


Version	Description of Change	Date	Drawn by
A	NEW	2018.11.16	Miki



3D View

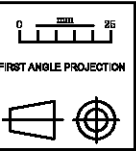


PCB LAYOUT(REF)

Notes:  
 Current Rating:1.5A Max DC, MQS Pins:5A Max DC.  
 Voltage Rating:100V.  
 Insulation Resistance:1000MΩ Min.  
 Dielectric Withstanding Voltage:500V AC  
 Contact Resistance:10mΩ Max.  
 Contact Retention Force:5N Min.  
 Operating Temperature:-40? to +105?  
 Materials:  
 Terminal :Copper alloy;  
 Housing:High Temperature Thermoplastic,  
 UL94V-0, Color: See Part Number  
 "M" important size, "★"Special characteristic size.

序号	1	2	3	4	5	6	7
图视							
类型	A	B	C	D	E	F	Z
颜色	黑色	本色/白	蓝色(RAL5005)	枣红(RAL4004)	绿色(RAL6002)	褐色(RAL8011)	水蓝(RAL5021)
料号	A-M22049-6-A	A-M22049-6-B	A-M22049-6-C	A-M22049-6-D	A-M22049-6-E	A-M22049-6-F	A-M22049-6-Z

Part number (料号)	Version (版本)	Date (日期)
A-M22049	A	2018.11.16
Title (名称)		
2.0Pitch 4+2pin product Drawing		



UNIT:mm	
Tolerance: .XXX ±0.25 .XX ±0.35 .X ±0.50	Angular Dim. .XX° ±1° .X° ±2° .X° ±3°

# HRBCN

SHEET (页面)	Drawn by (制图)	Confirmed by (审核)	Approved by (核准)
1/2	Linda	Miki	David