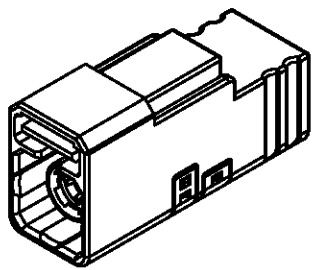
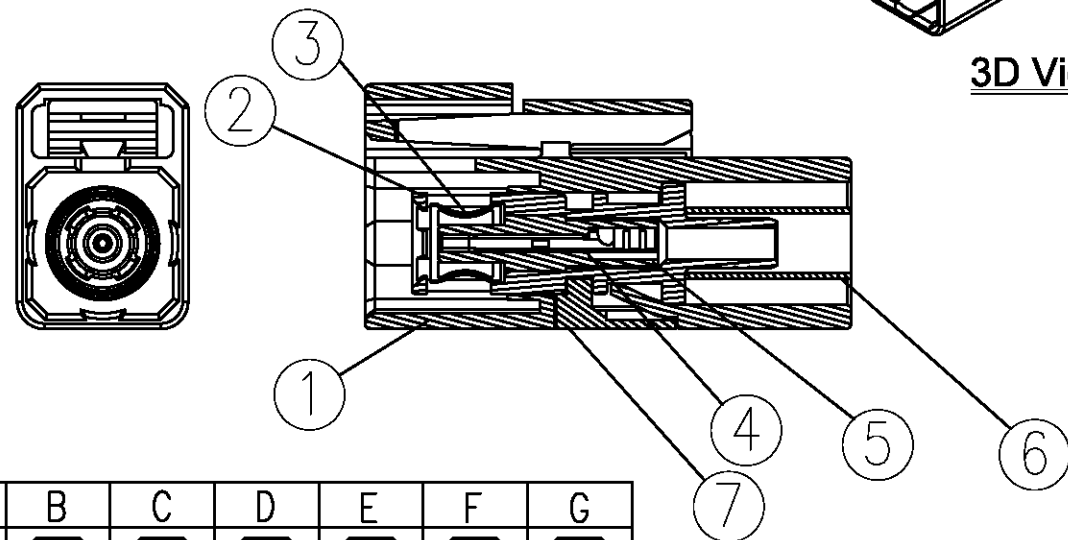


Version	Description of Change	Date	Drawn by
A0	NEW	2019.02.19	王明灯



3D View



Notes:
 Insulation Resistance:1000MΩ Min.
 Dielectric Withstanding Voltage:500V AC
 Contact Resistance:10mΩ Max.
 Un-mating force (with lock): 110N Min.
 Operating Temperature:-40°C to +105°C

NOTE1

S/N	A	B	C	D	E	F	G
View							
colour	black(9005)	white(9001)	blue(5005)	bordeauxviolet(4004)	green(6002)	brown(8011)	grey(7031)
P/N	A-M4005F-1-A	A-M4005F-1-B	A-M4005F-1-C	A-M4005F-1-D	A-M4005F-1-E	A-M4005F-1-F	A-M4005F-1-G
S/N	H	I	K	L	M	N	Z
View							
colour	violet(4003)	beige(1001)	curry(1027)	carmine-red(3002)	curry(2003)	white-green(6019)	waterblue(5021)
P/N	A-M4005F-1-H	A-M4005F-1-I	A-M4005F-1-K	A-M4005F-1-L	A-M4005F-1-M	A-M4005F-1-N	A-M4005F-1-Z

⑦	A-P4005M-1-1	1	CAP	PBT	/	
⑥	A-T4005F-1-4	1	Circular Tube	Brass	/	
⑤	A-P4005F-1-4	1	Insulator	PTFE	/	
④	A-T4005F-1-BL-3	1	Terminal	Brass	/	
③	A-T4005F-1-BL-2	1	Iron hoop	phosphor copper	/	
②	A-T4005F-1-1	1	Zinc alloy	***3#	/	
①	A-P4005F-1-*	1	Housing	PBT	NOTE1	
S/N	HRB P/N	QTY	description	materials	colour	Notes

Part number (料号)	Version (版本)	Date (日期)
A-M4005F-1-A	A0	2019.02.19
Title (名称)		
Fakra Female Product Drawing		

UNIT:mm	
Tolerance: .XXX ±0.15 .XX ±0.20 .X ±0.25	Angular Dim. .XX° ±1° .X° ±2° X° ±3°

HRBCN 东莞市鸿儒连接器有限公司
 HongRu Connectors Co.,Ltd.

Drawn by (制图)	Confirmed by (审核)	Approved by (核准)
Tina	Miki	David

U Tina