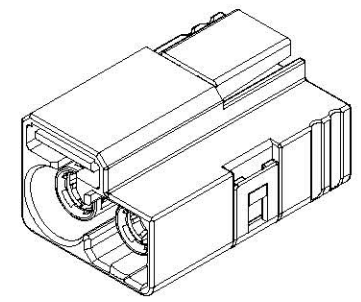
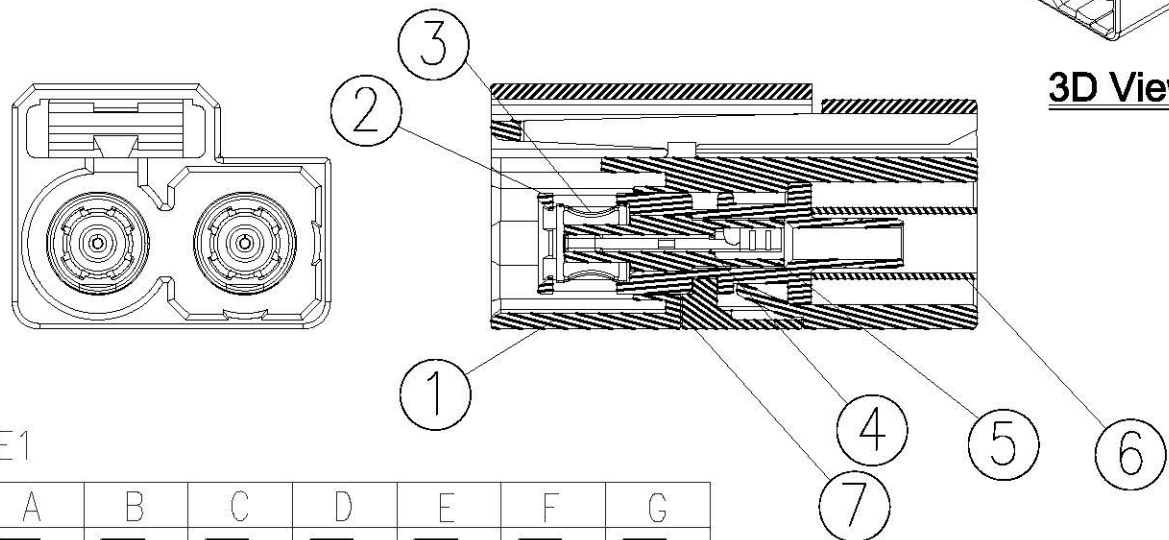


Version	Description of Change	Date	Drawn by
A0	NEW	2019.06.19	王明灯



3D View



Notes:
 Insulation Resistance:1000MΩ Min.
 Dielectric Withstanding Voltage:500V AC
 Contact Resistance:10mΩ Max.
 Un-mating force (with lock): 110N Min.
 Operating Temperature:-40°C to +105°C

NOTE1

S/N	A	B	C	D	E	F	G
View							
colour	black(9005)	white(9001)	blue(5005)	bordeauxviolet(4004)	green(6002)	brown(8011)	grey(7031)
P/N	A-M4005F-2-A	A-M4005F-2-B	A-M4005F-2-C	A-M4005F-2-D	A-M4005F-2-E	A-M4005F-2-F	A-M4005F-2-G
S/N	H	I	K	L	M	N	Z
View							
colour	violet(4003)	beige(1001)	curry(1027)	carmine-red(3002)	curry(2003)	white-green(6019)	waterblue(5021)
P/N	A-M4005F-2-H	A-M4005F-2-I	A-M4005F-2-K	A-M4005F-2-L	A-M4005F-2-M	A-M4005F-2-N	A-M4005F-2-Z

⑦	A-P4005F-2-1	1	挡板	PBT	/	
⑥	A-T4005F-1-4	2	圆管	Brass	/	
⑤	A-P4005F-4-1	2	绝缘体	PTFE	/	
④	A-T4005F-1-3	2	端子	Brass	/	
③	A-T4005F-1-2	2	圆环	phosphor copper	/	
②	A-T4005F-1-1	2	屏蔽壳	Φ3#	/	
①	A-P4005F-2-*	1	外壳	PBT	NOTE1	
S/N	P/N	QTY	description	materials	colour	Notes

Part number (料号)	Version (版本)	Date (日期)
A-M4005F-2*	A0	2019.06.19
Title (名称)		
Double Fakra Female Product Drawing		

UNIT:mm	
Tolerance: .XXX ±0.15 .XX ±0.25 .X ±0.35	Angular Dim. .XX° ±1° .X° ±2° .X° ±3°



东莞市鸿儒连接器有限公司
 Hong Ru Connectors (DG) Co.,Ltd.

Drawn by (制图)	Confirmed by (审核)	Countersign by (会签)	Approved by (核准)
Tina	Miki	Tian	David