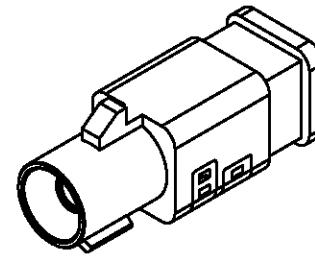
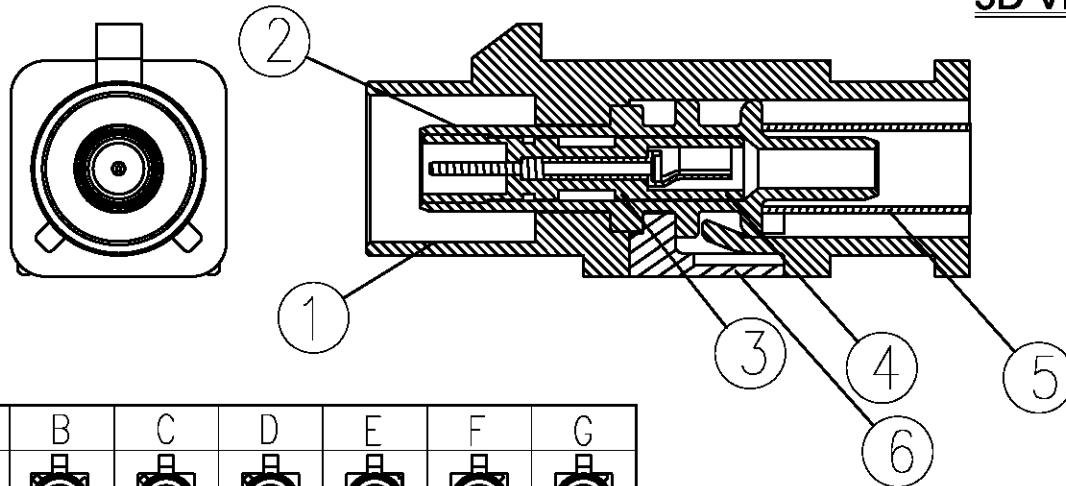


Version	Description of Change	Date	Drawn by
A0	NEW	2019.02.19	王明灯



**3D View**



Notes:  
 Insulation Resistance:1000MΩ Min.  
 Dielectric Withstanding Voltage:500V AC  
 Contact Resistance:10mΩ Max.  
 Un-mating force (with lock): 110N Min.  
 Operating Temperature:-40°C to +105°C

**NOTE1**

S/N	A	B	C	D	E	F	G
View							
colour	black(9005)	white(9001)	blue(5005)	bordeauxviolet(4004)	green(6002)	brown(8011)	grey(7031)
P/N	A-M4005M-1-A	A-M4005M-1-B	A-M4005M-1-C	A-M4005M-1-D	A-M4005M-1-E	A-M4005M-1-F	A-M4005M-1-G
S/N	H	I	K	L	M	N	Z
View							
colour	violet(4003)	beige(1001)	curry(1027)	carmine-red(3002)	curry(2003)	white-green(6019)	waterblue(5021)
P/N	A-M4005M-1-H	A-M4005M-1-I	A-M4005M-1-K	A-M4005M-1-L	A-M4005M-1-M	A-M4005M-1-N	A-M4005M-1-Z

⑥	A-P4005M-1-1	1	CAP	PBT		
⑤	A-T4005F-1-4	1	Circular Tube	Brass	/	
④	A-P4005M-1-2	1	Insulator	PTFE	/	
③	A-T4005M-1-BL-2	1	Terminal	Brass	/	
②	A-T4005M-1-1	1	Zinc alloy	***3#	/	
①	A-P4005M-1-*	1	Housing	PBT	NOTE1	
S/N	HRB P/N	QTY	description	materials	colour	Notes

Part number (料号)	Version (版本)	Date (日期)
A-M4005M-1-A	A0	2019.02.19
Title (名称)		
Fakra male Product Drawing		

UNIT:mm	
Tolerance: .XXX ±0.15 .XX ±0.20 .X ±0.25	Angular Dim. .XX° ±1° .X° ±2° .X° ±3°

**HRB** 东莞市鸿儒连接器有限公司  
**HRBCN** Hong Ru Connectors (DG) Co.,Ltd.

Drawn by (制图)	Confirmed by (审核)	Countersign by (会签)	Approved by (核准)
Tina	Miki	Tian	David