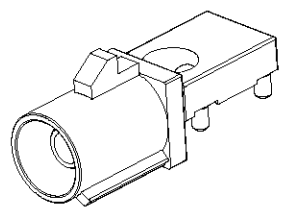
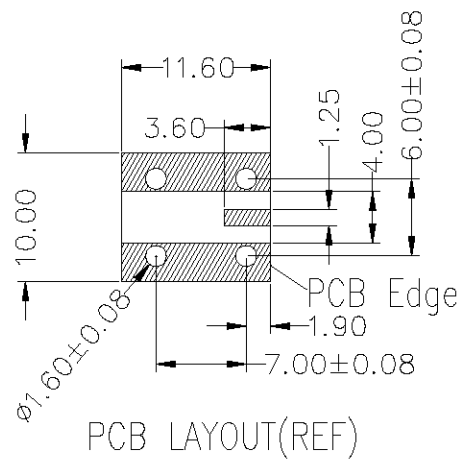
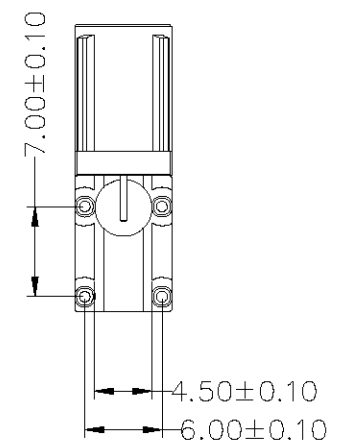
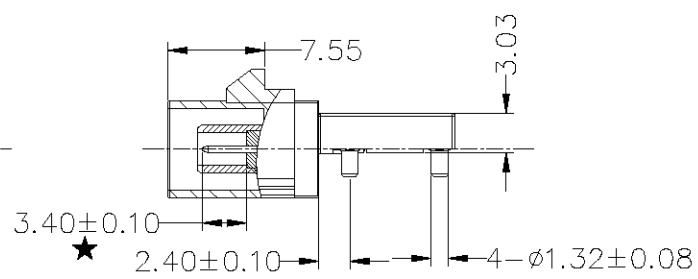
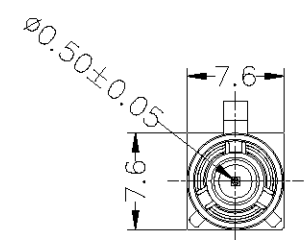
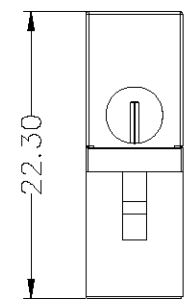


Version	Description of Change	Date	Drawn by



3D View

- Notes:
- Electrical
 - Insulation Resistance:1000MΩ Min.
 - Dielectric Withstanding Voltage:500V DC
 - Contact Resistance:10mΩ Max.
 - Mechanical
 - Un-mating force (with lock): 110N Min.
 - Environmental performance
 - Operating Temperature:-40°C to +105°C.
 - Materials:
 - Terminal :Copper alloy
 - Plastic body:High Temperature Thermoplastic
UL94V-0 Color:Black
 - SHELL :Zinc alloy
 - Housing :High Temperature Thermoplastic,
UL94V-0, Color: See Part Number
 - Plating:
 - Terminal : Ni 30u"Min Au 3u"Min.
 - SHELL : Ni 80u"Min Sn 80u"Min
- ★"Special characteristic size.



序号	A	B	C	D	E	F	G
图视							
颜色	黑色(9005)	白色(9001)	蓝色(5005)	紫色(4004)	绿色(6002)	棕色(8011)	灰色(7031)
料号	A-M4007-1-A	A-M4007-1-B	A-M4007-1-C	A-M4007-1-D	A-M4007-1-E	A-M4007-1-F	A-M4007-1-G
序号	H	I	K	L	M	N	Z
图视							
颜色	象牙兰色(4003)	米黄色(1001)	咖啡色(1027)	卡红色(3002)	橙色(2003)	蓝绿色(6019)	水蓝色(5021)
料号	A-M4007-1-H	A-M4007-1-I	A-M4007-1-K	A-M4007-1-L	A-M4007-1-M	A-M4007-1-N	A-M4007-1-Z

SCALE (比例)	1:1	Part number (零件料号)	UNIT:mm	
TYPE (类型)	CW	A-M4007-1-*	Tolerance: .XXX ±0.15 .XX ±0.25 .X ±0.35	Angular Dim. .XX' ±1° .X' ±2° .X" ±3°
TITLE (品名)	卧式沉板 Fakra connector			



东莞市鸿儒连接器有限公司
Hong Ru Connectors (DG) Co.,Ltd.

Drawn by (制图)	Miki	Date (日期)	2019/2/25
Confirmed by (审核)	王明灯	Version (版本)	0.0
Approved by (核准)	郑晓龙	SHEET (页数)	1 of 1