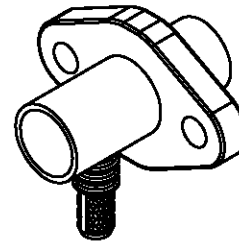
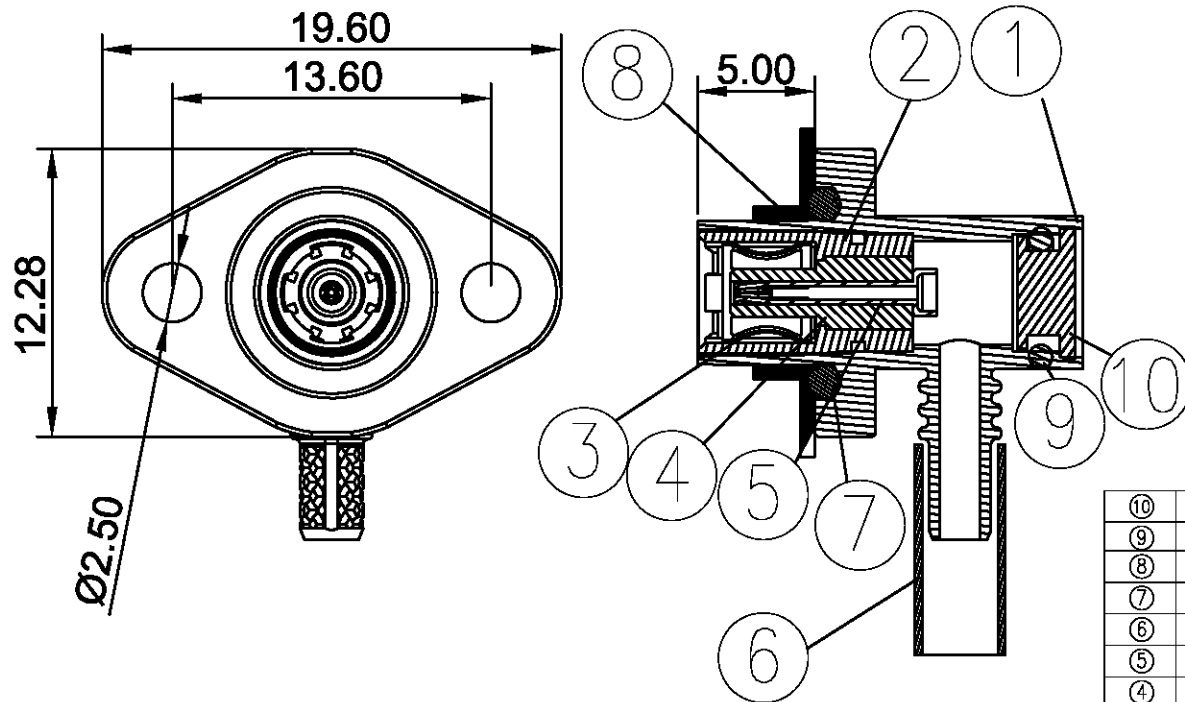


| Version | Description of Change | Date | Drawn by |
|---------|-----------------------|------------|----------|
| A0 | NEW | 2020.02.19 | 王明灯 |



3D View

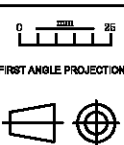


Notes:

Insulation Resistance:1000MΩ Min.
 Dielectric Withstanding Voltage:500V DC
 Contact Resistance:10mΩ Max.
 Un-mating force (with lock): 110N Min.
 Operating Temperature:-40°C to +105°C.
 Waterproofing:IPX7

| | | | | | | |
|-----|---------------|-----|----------------------|-----------------|--------|-------|
| ⑩ | A-T4005FR-1-2 | 1 | Ding | Brass | | |
| ⑨ | A-P4005F-1-5 | 1 | O-RING | Silicone | | |
| ⑧ | A-P4012-1-3 | 1 | CAP | PBT | | |
| ⑦ | A-P4012-1-2 | 1 | O-RING | Silicone | / | |
| ⑥ | A-T4005F-1-4 | 1 | Circular Tube | Brass | / | |
| ⑤ | A-T4020-1-3 | 1 | Terminal | Brass | / | |
| ④ | A-P4020-1-1 | 1 | Insulator | PTFE | / | |
| ③ | A-T4005F-1-2 | 1 | Iron hoop | phosphor copper | / | |
| ② | A-T4020-1-2 | 1 | Zinc alloy | ##3# | / | |
| ① | A-T4020-1-1 | 1 | Zinc alloy | ##3# | | |
| S/N | HRB P/N | QTY | description | materials | colour | Notes |

| Part number (料号) | Version (版本) | Date (日期) |
|----------------------------------|-----------------|--------------|
| A-M4020-1-1 | A0 | 2020.02.19 |
| Title (名称) | | |
| SMB Angle Female Product Drawing | | |



| UNIT:mm | |
|---|--|
| Tolerance: .XXX ±0.15 .XX ±0.20 .X ±0.25 | Angular Dim. .XX° ±1° .X° ±2° .X° ±3° |



东莞市鸿儒连接器有限公司
 HongRu Connectors Co.,Ltd.

| Drawn by (制图) | Confirmed by (审核) | Countersign by (会签) | Approved by (核准) |
|------------------|----------------------|------------------------|---------------------|
| Tina | Miki | Tian | David |